

# Pressure & Temperature Switches

## Model 4140

### Overview

AMOT type 4140 switches are available as a single (types 4140C & F), dual step pressure or temperature switch (types 4140D & E), or a combined pressure and temperature switch (type 4140A). 4140 temperature switches and combined switches are supplied with a thermal well or slip coupling and are mounted by inserting the temperature sensing element into a properly located pipe boss.

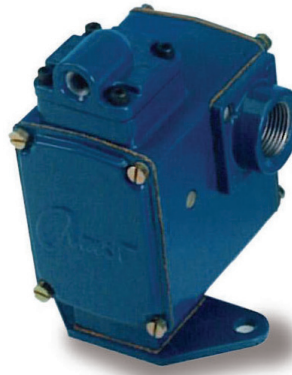
### Typical applications

Suitable for industrial and marine applications. Providing protection and safety of:

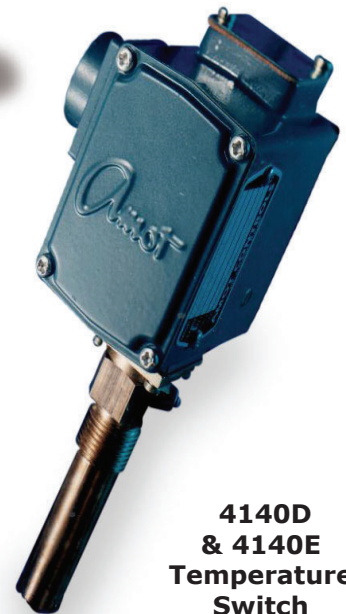
- Diesel engines
- Compressors
- Pumps
- Transmissions
- Gearboxes

### Key benefits

- Gold and silver plated contacts - for use in I/S circuits
- Weatherproof enclosure IP56
- Single and dual set points - alarm and shutdown capabilities in one unit
- Combined temperature and pressure with independent, fully adjustable set points - for use in diverse applications



**4140C  
& 4140F  
Pressure  
Switch**



**4140D  
& 4140E  
Temperature  
Switch**

# Pressure & Temperature Switches - 4140

## Specification

<b>Housing materials</b>	Diecast aluminum alloy casting	Fully gasketed and weatherproof
<b>Finish</b>	Epoxy polyester powder coating	
<b>Pressure sensing wetted parts</b>	Fitted with nitrile rubber diaphragm	
<b>Temperature sensing probe</b>	Wax element enclosed in copper sheath or bi-metallic disc (range 6)	
<b>Vibration</b>	Resistant up to 14G/100Hz	Refer to microswitch type
<b>Temperature</b>	Temperature switch	-40°F to +248°F -40°C to +120°C ambient
	Pressure switch	-40°F to 194°F -40°C to +90°C ambient
<b>Types</b>	Single	
	Dual	
	Combined pressure and temperature	
<b>Set point adjustment</b>	Fully adjustable upon opening the housing	
<b>Set point indication</b>	Clear visibility on scale plate	
<b>Microswitch terminations</b>	Screw terminals	Common, normally open and normally closed connections. Easily wired for rising or falling set points
<b>Microswitch current</b>	15A resistive at 15V d.c.	
	0.5A resistive at 250V d.c.	
	15A resistive at 125V a.c.	Type R & S microswitch only
	15A resistive at 250V a.c.	Type R & S microswitch only
<b>Cable entry</b>	Side fitments PG 13.5 thread standard page 5	For options refer to 'How to order' page 5
<b>Pressure sensing</b>	0.28 to 40 bar (4 to 580 PSI)	See table page 3
<b>Temperature sensing</b>	16°C to 250°C (61°F to 485°F)	For range see 'How to order' page 5

## Marine classification information

In accordance with the Classification Societies rules a thermowell must be used on all temperature switch installations for liquid sensing, in marine applications. The following have been Type Approved by Germanischer Lloyd for marine applications:

Pressure ranges: 1, 2, 3, 4 and 9

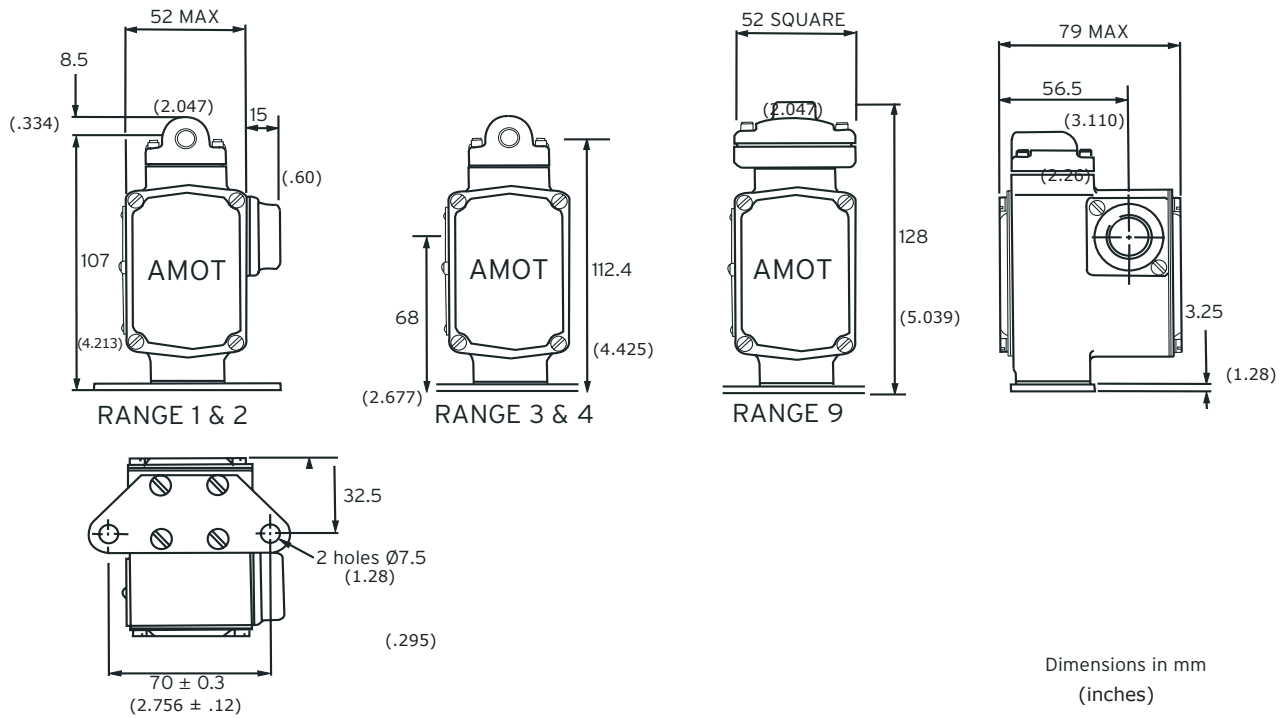
Temperature ranges: 1, 2, 3, 4 and 5

Microswitch types: K, Y, R and S

Please contact AMOT Customer Services or Quality Department for types with GL Approval.

# Pressure & Temperature Switches - 4140

## Dimensions - Pressure switch

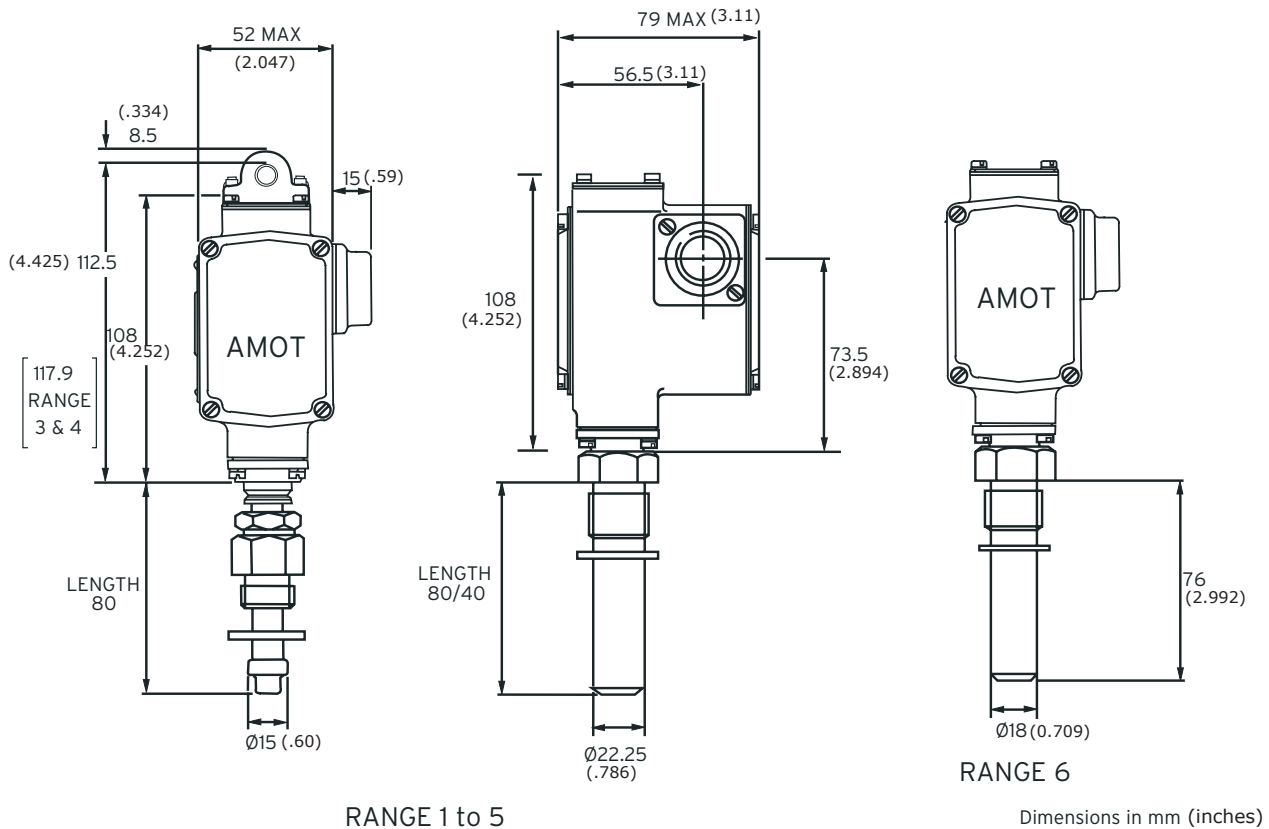


## Pressure ranges

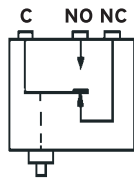
Microswitch type	Falling range BAR		Rising range BAR		Sensed pressure max. BAR	Falling range PSI		Rising range PSI		Sensed pressure max. PSI	Code
	min	max	min	max		min	max	min	max		
K	0.28	3.45	0.48	3.72	24	4	50	7	54	350	1
	3.45	6.89	3.66	8.34	24	50	100	53	121	350	2
	6.89	20.68	8.27	23.44	40	100	300	120	340	580	3
	8.96	34.47	12.41	40	40	130	500	180	580	580	4
	0.10	1.52	0.14	1.65	10	1.5	22	2	24	145	9
H, R, S	0.34	3.45	0.90	4.27	24	5	50	13	62	350	1
	2.76	7.45	3.38	9.37	24	40	108	49	136	350	2
	6.20	18.27	9.30	24.13	40	90	265	135	350	580	3
	8.96	29.65	15.86	40	40	130	430	230	580	580	4
	0.17	1.52	0.38	1.86	10	2.5	22	5.5	27	145	9
Temperature switch											0

# Pressure & Temperature Switches - 4140

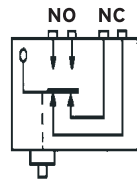
## Dimensions - Temperature switch



## Microswitch



Types K,  
R & S



Type H

**Terminations:** Terminal connection details are specified on the inside of the terminal cover plate next to the microswitch fitting. All microswitch types have common, normally open and normally closed screw terminal markings and can be wired to provide make or break action on rising or falling setpoints.

**Current rating:** The table opposite details maximum current rating (AMPS) for the standard K microswitch. For details of other rating of alternative switch types, consult AMOT.

### Maximum Current Rating for Microswitch K

Voltage	AC		DC	
	Resistive	Inductive	Resistive	Inductive
8			15	15
14			15	10
30			6	5
125			0.4	0.05
230			0.2	0.03
125	15	15		
250	15	15		
277	15	15		
460	15	15		

# Pressure & Temperature Switches - 4140

## How to order

Use the tables below to select the unique specification of your 4140 pressure/temperature switch

Example code	4140	A	K	1	A	H	3	1	2	C	-EE	Code Description		
<b>Model &amp; revision level</b>	4140											<b>Model &amp; Revision Level</b> 4140		
<b>Model type</b>		A										<b>Model type</b> Combined pressure and temperature		
		C										Single step pressure		
		D										Single step temperature		
		E										Dual step temperature		
		F										Dual step pressure		
<b>Microswitch type (see page 4)</b>		H										<b>Microswitch type</b> Double break		
		K										Low reset differential 4G at 100Hz		
		R										High vibration/shock resistant 14G at 100Hz		
		S										High vibration/shock resistant 14G at 100Hz with gold plate contacts		
<b>Finish</b>												<b>Finish</b> Standard		
		1										Corrosion protected		
		3												
<b>Conduit thread</b>		A										<b>Conduit thread</b> No bonnet fitted	Standard	
		C										1/2" NPT		
		E										PG 13.5		
		H										M20 * 1.5		
		V										PG9		
		M										1/2" NPT	Protected	
		P										PG 13.5		
		S										M20 * 1.5		
		W										PG9		
<b>Pressure connection</b>												<b>Pressure connection</b>	Standard	
		1										1/8" BSPTr		
		2										1/8" NPT		
		3										1/8" BSPPL	Protected	
		4										1/8" BSPTr		
		5										1/8" NPT		
		6										1/8" BSPPL		
	0											Temperature switch		
<b>Pressure range</b>												<b>Pressure range</b>	Please advise if set or unset. If set, please advise set point and whether falling or rising.	
		3										See Pressure Range table on page 3		
<b>Temperature stem length</b>												<b>Temperature stem length</b>		
		A										Pressure switch		
		C										80mm		
<b>Temperature stem adaptor</b>												<b>Temperature stem adaptor</b>	<b>Plating</b>	<b>Max pessure (bar)</b>
		A										No adaptor fitted/pressure switch	Zinc plate	-
		B										Slip coupling 1/2" BSPPL	Zinc plate	17.5
		C										Slip coupling 1/2" NPT	Aluminum bronze	17.5
		E										Thermowell 1/2" BSPPL	Aluminum bronze	105
		G										Thermowell 3/4" BSPPL	Aluminum bronze	105
		H										Thermowell 3/4" BSPPL	Stainless steel	207
<b>Temperature range</b>												<b>Temperature range</b>	Please advise if set or unset. If set, please advise set point and whether falling or rising.	
												<b>°F</b>		<b>°C</b>
		1										60 - 130		16 - 54
		2										120 - 160		49 - 71
		3										150 - 190		66 - 87
<b>Special requirements</b>												<b>Special requirements</b>		
												-EE	Standard product	
												-***	Customer special code assigned	

# Pressure & Temperature Switches - 4140

## Service kits - model 4140A

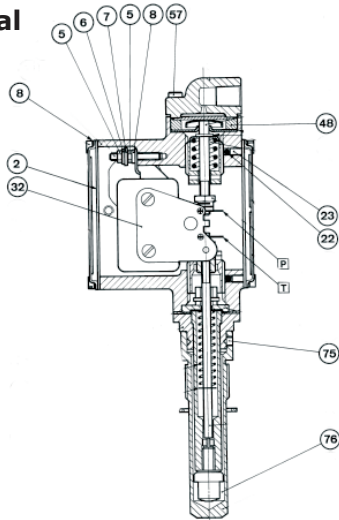
### Service kit contents

Ref. no.	Qty	Description	Ref. no.	Qty	Description
2	2	Gasket housing cover	37	1	Gasket, conduit bonnet
5	2	Locknut	38	2	Screw
6	1	Washer, shakeproof	48	1	Diaphragm assembly R 1 & 2
7	1	Washer, cup, terminal	53	1	Diaphragm Range 3 & 4
8	3	Washer, spring	57	4	Screw Range 1 to 4
12	2	'O' ring	65	1	Diaphragm assembly Range 9
13	2	Screw	67	4	Screw Range 9
21	2	Screw	75	2	Screw
22	1	Nylon ball	76	1	Tube of heat transfer compound
23	1	Screw, grub		1	Key, hexagonal
32	1	Microswitch assembly			

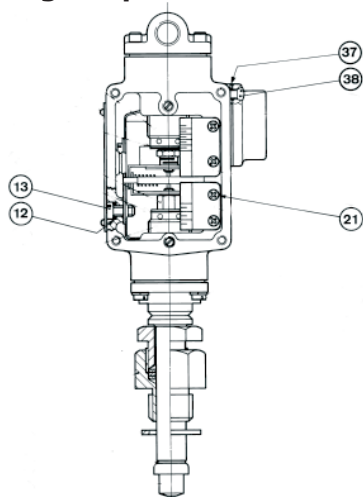
A spare part service kit, part no.: 44046L\*\*\* is available for model 4140A and full details of kit contents are listed here. Please quote the switch model and serial number in full, together with the service kit part number required when ordering spare parts.

Example code	44046L	1	1	0	Code description
<b>Microswitch type</b>					<b>Microswitch type</b>
		2			H Double break
		4			K Std: low reset/differential
		7			R Vibration/shock resistant
		8			S as K, gold plated contacts
		9			Y as R, gold plated contacts
<b>Pressure range and finish</b>					<b>Pressure range and finish</b>
		1			Range 1 Standard
		2			Range 2 Standard
		3			Range 3 Standard
		4			Range 4 Standard
		5			Range 1 Corrosion protected
		6			Range 2 Corrosion protected
		7			Range 3 Corrosion protected
		8			Range 4 Corrosion protected
	9			Range 9 Either of above	
<b>Temperature connection</b>					<b>Temperature connection</b>
		0			None fitted
		1			1/2" BSP or NPT
		2			3/4" BSP or NPT
		3			High temperature (range 6)
	4			M20 x 1.5mm	

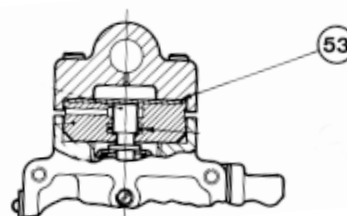
### With thermal well



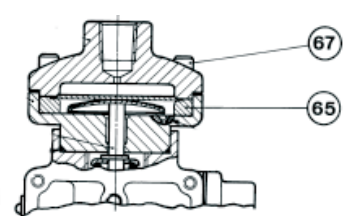
### With slip-coupling adaptor



### Pressure ranges 3 and 4



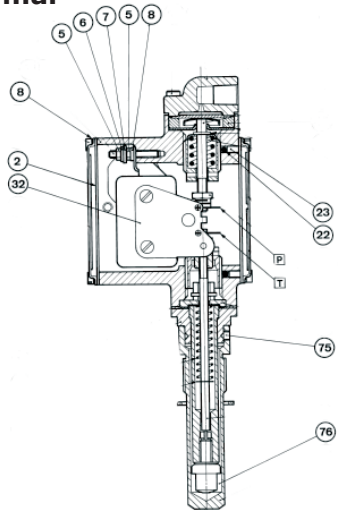
### Pressure range 9



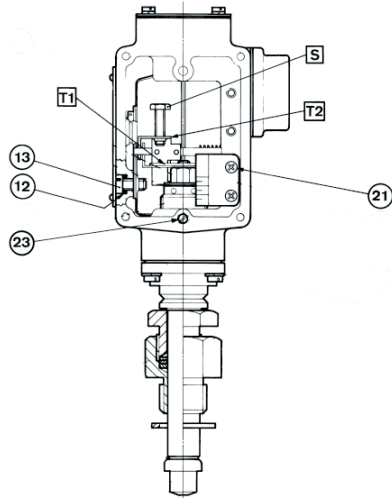
# Pressure & Temperature Switches - 4140

## Service kits - models 4140D & E

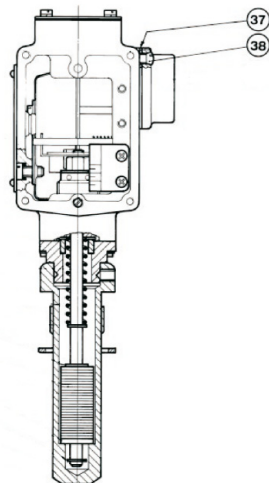
### With thermal well



### With slip-coupling adaptor



### Showing temperature range 6 bi-metallic disc element assembly



A spare part service kit, part no.: 44048L\*\*\* is available for models 4140D and part no.: 44049L for 4140E and full details of kit contents are listed here. Please quote the switch model number and serial number in full, together with the service kit part number required when ordering parts.

Example code	44048L	1	0	2	Code description
<b>Service kit part number</b>					<b>Service kit part number</b>
	44048L				Service kit for model 4140D
	44049L				Service kit for model 4140E
					<b>Microswitch type</b>
	2			H	Double break
	4			K	Std: low reset/differential
	7			R	Vibration/shock resistant
	8			S	as K, gold plated contacts
	9			Y	as R, gold plated contacts
					<b>Pressure range and finish</b>
			0		Temperature version
					<b>Temperature Connection</b>
			0		None fitted
			1		1/2" BSP or NPT
			2		3/4" BSP or NPT
			3		High temperature (range 6)
			4		M20 x 1.5mm

### Service kit contents

Ref no.	Qty	Description	Ref no.	Qty	Description
2	2	Gasket housing cover	21	2	Screw
5	2	Locknut	22	1	Nylon ball
6	1	Washer, Shakeproof	23	1	Screw, grub
7	1	Washer, cup, terminal	32	1	Microswitch assembly
8	3	Washer, spring	37	1	Gasket, conduit bonnet
12	2	'O' ring	38	2	Screw
13	2	Screw	75	2	Screw
			76	1	Tube of heat transfer compound

# Pressure & Temperature Switches - 4140

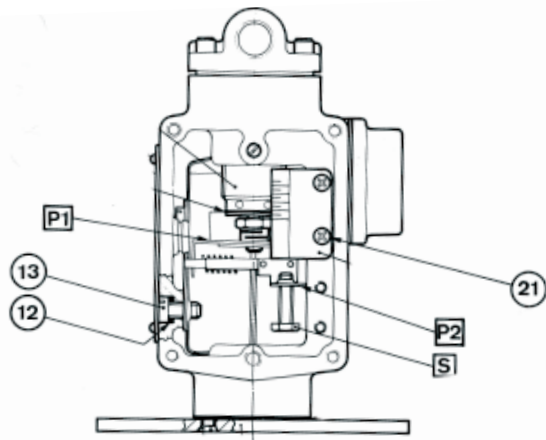
## Service kits - models 4140C & F

### Service kit contents

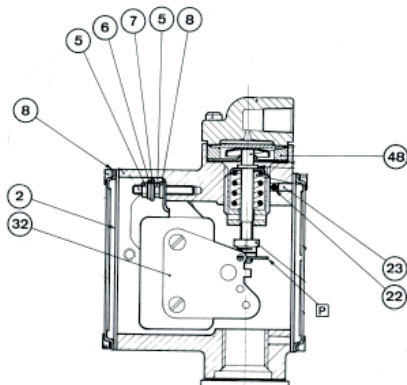
Ref no.	Qty	Description	Ref no.	Qty	Description
2	2	Gasket housing cover	32	1	Microswitch assembly
5	2	Locknut	37	1	Gasket, conduit bonnet
6	1	Washer, Shakeproof	38	2	Screw
7	1	Washer, cup, terminal	48	1	Diaphragm assembly Range 1 & 2
8	3	Washer, spring	53	1	Diaphragm Range 3 & 4
12	2	'O' ring	57	4	Screw Range 1 to 4
13	2	Screw	65	1	Diaphragm assembly Range 9
21	2	Screw	67	4	Screw Range 9
22	1	Nylon ball		1	Key hexagonal
23	1	Screw, grub			

A spare part service kit, part no.: 44047L\*\*\* is available for models 4140C and part no.: 44050L for 4140F and full details of kit contents are listed here. Please quote the switch model number and serial number in full, together with the service kit part number required when ordering parts. For more information see maintenance manual.

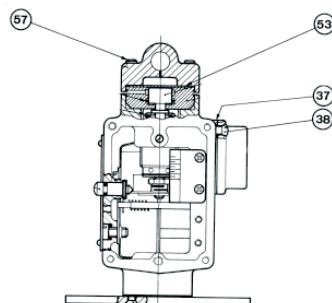
Example code	44047L	1	1	0	Code description
Service kit part number					<b>Service kit part number</b>
	44047L				Service kit for model 4140C
	44050L				Service kit for model 4140F
Microswitch type					<b>Microswitch type</b>
		2		H	Double break
		4		K	Std: low reset/differential
		7		R	Vibration/shock resistant
		8		S	as K, gold plated contacts
		9		Y	as R, gold plated contacts
Pressure range and finish					<b>Pressure range and finish</b>
		1	Range 1	Standard	
		2	Range 2	Standard	
		3	Range 3	Standard	
		4	Range 4	Standard	
		5	Range 1	Corrosion protected	
		6	Range 2	Corrosion protected	
		7	Range 3	Corrosion protected	
		8	Range 4	Corrosion protected	
		9	Range 9	Either of above	
Pressure version					<b>Pressure version</b>
		0			Pressure version



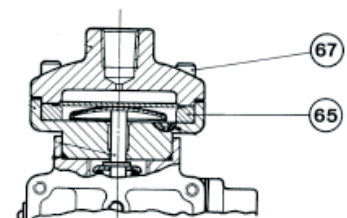
Pressure ranges 1 and 2



Pressure ranges 3 and 4



Pressure range 9





## Europe, Middle East and Africa

---

AMOT  
Western Way  
Bury St Edmunds  
Suffolk, IP33 3SZ  
England

Tel +44 (0) 1284 762222  
Fax +44 (0) 1284 760256  
Email info@amot.com

AMOT Controls GmbH  
Rondenbarg 25  
22525 Hamburg  
Germany

Tel +49 (0) 40 8537 1298  
Fax +49 (0) 40 8537 1331  
Email germany@amot.com

AMOT Russia  
#34 Shabolovka Street  
Building 2  
Moscow 115419  
Russia

Tel +7 495 617 12 93  
Fax +7 495 913 97 65  
Email russia@amot.com

## Asia and Australasia

---

AMOT Shanghai  
RM 4102 - 4104 United Plaza  
1468 Nanjing Road West  
Shanghai 200040  
China

Tel +86 (0) 21 6279 7700  
Fax +86 (0) 21 5237 8560  
Email shanghai@amot.com

AMOT Singapore  
10 Eunos Road 8 #12-06  
Singapore Post Centre  
Singapore 408600

Tel +65 6408 6265  
Fax +65 6293 3307  
Email singapore@amot.com

## Americas

---

AMOT USA  
8824 Fallbrook Dr  
Houston, TX 77064  
USA

Tel +1 (281) 940 1800  
Fax +1 (281) 668 8802  
Email general: sales@amotusa.com  
orders: orders@amotusa.com  
customer service: cs@amotusa.com